

Ikego ToyStoreStool

A solution assembled from Ikego.World parts. The design is called "ToyStoreStool".



Lots of storage space



Cool way to keep the bottom board in place



comfortable to sit on (~250mm)



Stackable



Upgradeable and remixable [↗](#)

*

Ikego info

Ikego Parts used

- [102.1 insert board](#)
- [101.1 bead](#)
- [091.1 M4 rivet nut](#)
- [098.1 VitoBox](#)
- [086.1 M4 bolt](#)
- [018.1 string 2500mm](#)
- + 1 new part, documented below ↓

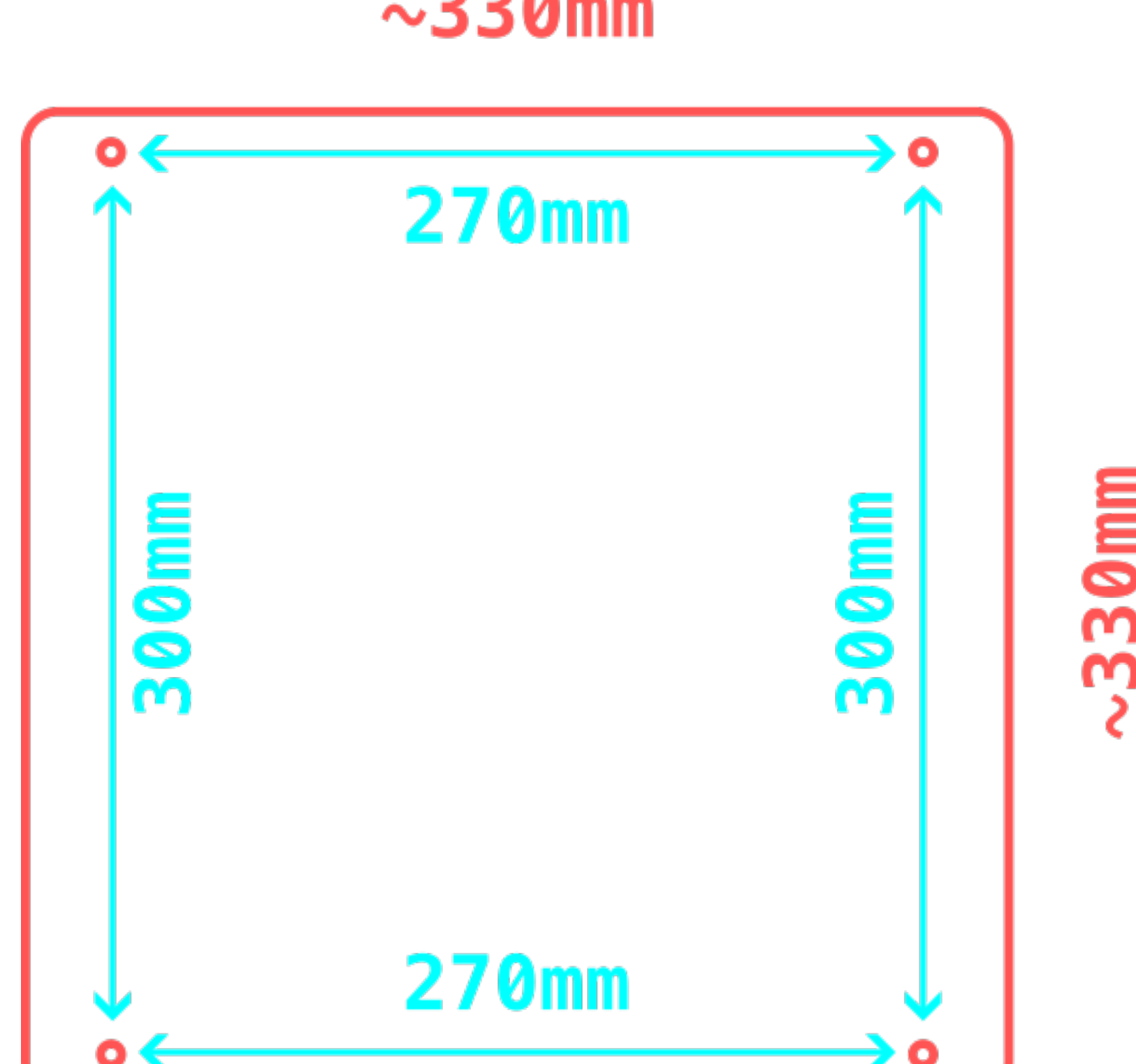
Meta

- Added by: Rinaldoo Boom
- IP protected: No, and not planned!
- Local Makes: Allowed, of course. Feel free to donate 1 EUR per make to [Paypal.Me/Lars2i](https://www.paypal.com/donate/?business=rinaldoo) (dedicate it to Rinaldoo)
- Disclaimer: This model is just a concept and not fully tested. You should not assume that it works as indicated and I am not saying that it does. I disclaim any responsibility or liability for any damage caused during the construction and use of products based in whole or in part on the concept shown here. All information is provided for your use at your own risk.

*

New part: TSS board

~330mm



• ø6mm

Basic Info

- **What is it:** a board
- **Material:** strong | [standard tolerance](#)
- **Dimensions:** 330x330mm | [standard tolerance](#)
- **Holes:** 4, diameter of 6mm, all in Ikego Grid. For location see drawing.

Get the part

- **Buy:** Available as [local make](#)
- **Make:** No instructions available

Meta

- **Introduced by:** Rinaldoo Boom
- **Open:** Shared under [IPP 1.0](#)
- **Disclaimer:** This part is just a concept and not fully tested. You should not assume that it works as indicated and I am not saying that it does. I disclaim any responsibility or liability for any damage caused during the construction and use of products based in whole or in part on the concept shown here. All information is provided for your use at your own risk.

← VORHER

Bench 08

mifactori is a
design studio
aiming to change
your relationship
with your built
environment.